

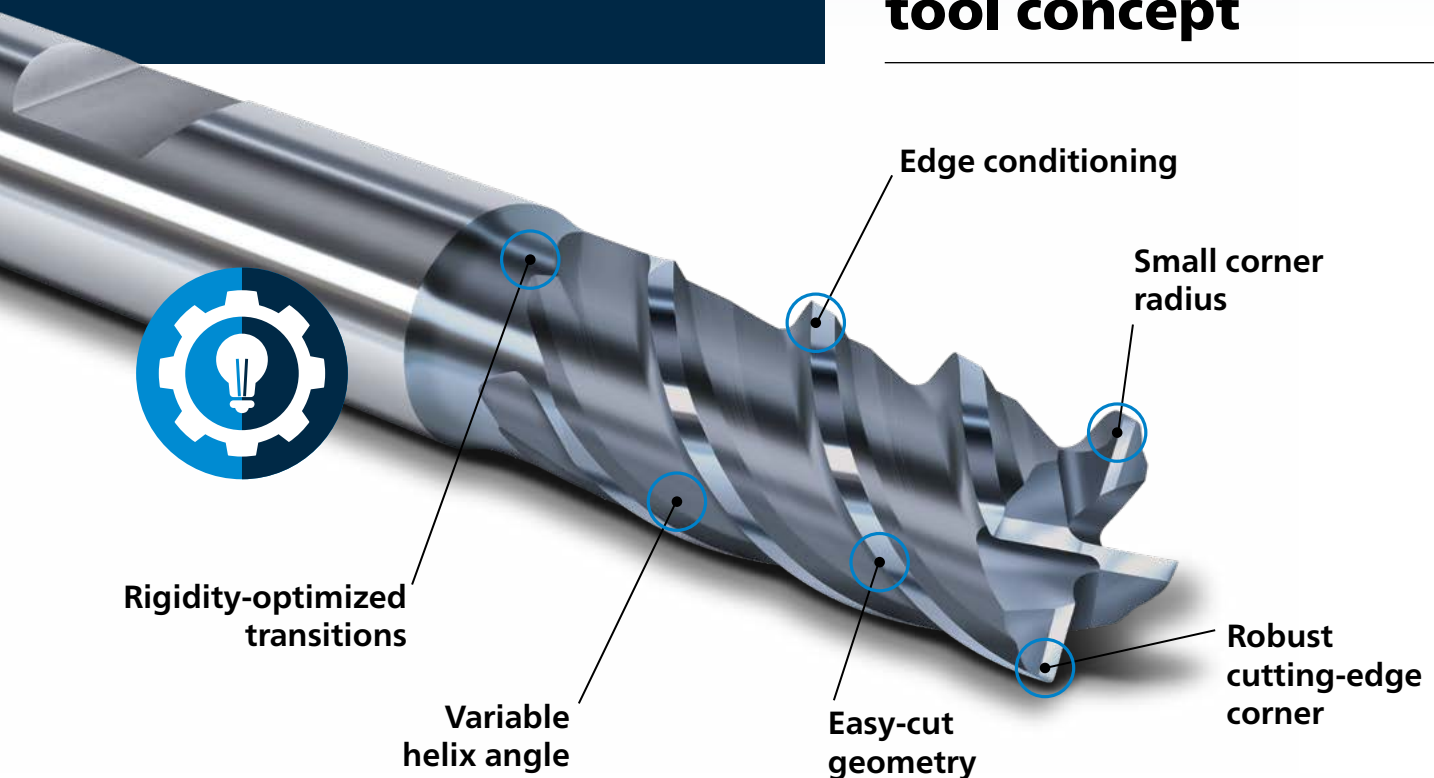
passion
for precision



Designed to run
+50% tool life

FRAISA – Your technology partner for
milling processes

The new **Favora**[®] tool concept



50% longer tool life

Sustainable thanks to **FRAISA ReTool**[®]

Universal use

Extremely economical **HPC** and **HDC**-capable

Comprehensive range

Verified application data



Further
information

FRAISA Group
fraisa.com